

APX-3200

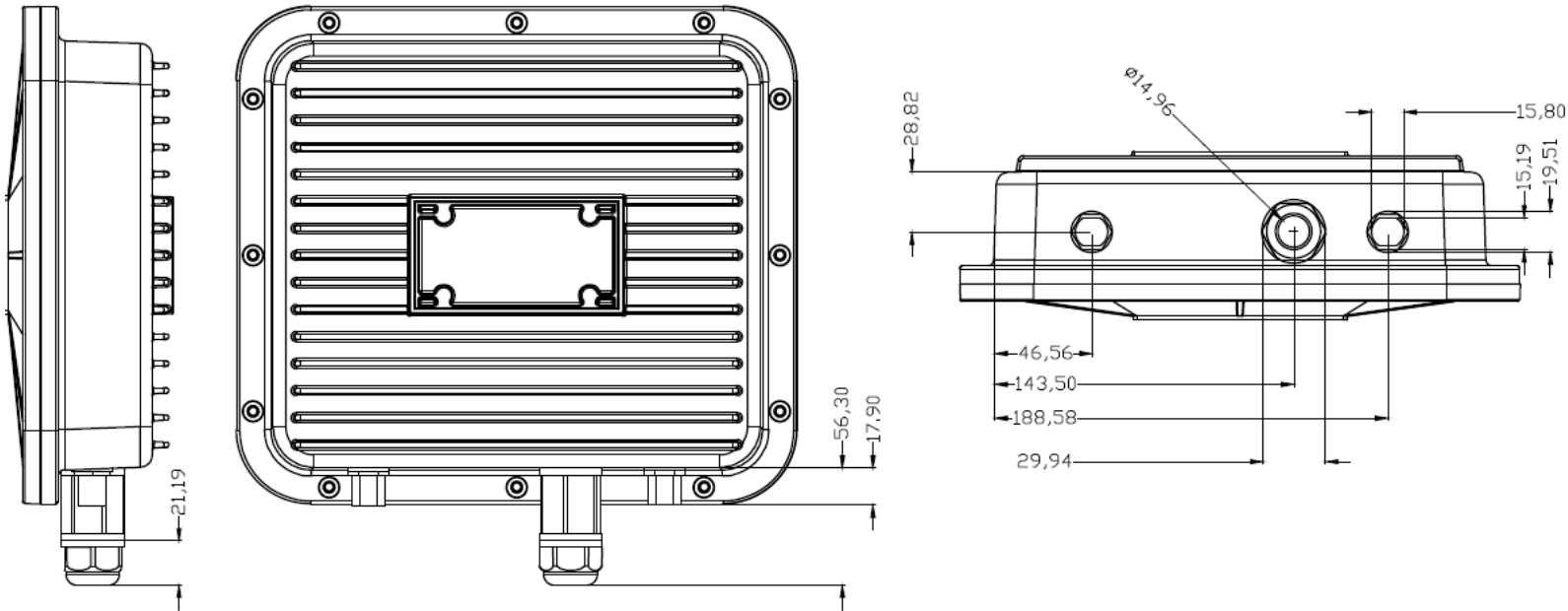
Outdoor IP67 IEEE 802.11/b/g/n Wireless AP/Client/Bridge/Repeater



Features

- ▶ All-in-One Wireless AP/Client/Bridge
- ▶ IP67 Outdoor Waterproof Housing Design
- ▶ IEEE 802.11b/g/n Compliant
- ▶ Industrial MIMO Wireless Solution (2t2r)
- ▶ Maximum Data Rate: 300Mbps
- ▶ Supports IEEE 802.11i / 802.1x Authentication
- ▶ Supports IEEE 802.1q VLAN Tagging
- ▶ Secured Management by HTTPS and SSH
- ▶ Supports Spanning Tree Protocol (STP)
- ▶ Supports Watchdog and Auto Reboot
- ▶ PD (Power Device) IEEE 802.3af Compliant
- ▶ Temperature Range: -35 to 70 °C
- ▶ Pole Mounting Bracket is Included
- ▶ 5 Year Warranty

▶ Dimensions



► Radio Specification

TX SPECIFICATIONS									
	DataRate	TX Power (per chain)	TX Power (2 chains)	Tolerance		DataRate	TX Power (per chain)	TX Power (2 chains)	Tolerance
802.11b	11Mbps	26dBm	29dBm	±2dB	802.11g	6-24Mbps	26dBm	29dBm	±2dB
	5.5Mbps	26dBm	29dBm	±2dB		36Mbps	26dBm	29dBm	±2dB
	2Mbps	26dBm	29dBm	±2dB		48Mbps	22dBm	25dBm	±2dB
	1Mbps	26dBm	29dBm	±2dB		54Mbps	21dBm	24dBm	±2dB
	DataRate	TX Power (per chain)	TX Power (2 chains)	Tolerance		DataRate	TX Power (per chain)	TX Power (2 chains)	Tolerance
2.4GHz 11n HT20	MCS 0/8	23dBm	26dBm	±2dB	2.4GHz 11n HT40	MCS 0/8	22dBm	25dBm	±2dB
	MCS 1/9	23dBm	26dBm	±2dB		MCS 1/9	22dBm	25dBm	±2dB
	MCS 2/10	23dBm	26dBm	±2dB		MCS 2/10	22dBm	25dBm	±2dB
	MCS 3/11	23dBm	26dBm	±2dB		MCS 3/11	22dBm	25dBm	±2dB
	MCS 4/12	23dBm	26dBm	±2dB		MCS 4/12	22dBm	25dBm	±2dB
	MCS 5/13	22dBm	25dBm	±2dB		MCS 5/13	22dBm	25dBm	±2dB
	MCS 6/14	21dBm	24dBm	±2dB		MCS 6/14	21dBm	24dBm	±2dB
	MCS 7/15	20dBm	23dBm	±2dB		MCS 7/15	20dBm	23dBm	±2dB
RX SPECIFICATIONS									
	DataRate	Sensitivity (2 chains)	Tolerance		DataRate	Sensitivity (2 chains)	Tolerance		
802.11g	6 Mbps	-94dBm	±2dB	802.11b	1 Mbps	-94dBm	±2dB		
	9 Mbps	-94dBm	±2dB		5.5Mbps	-94dBm	±2dB		
	12 Mbps	-94dBm	±2dB		11 Mbps	-92dBm	±2dB		
	18 Mbps	-92dBm	±2dB						
	24Mbps	-88dBm	±2dB						
	38Mbps	-82dBm	±2dB						
	48Mbps	-76dBm	±2dB						
	54Mbps	-74dBm	±2dB						
2.4GHz 11n HT20	MCS0	-92dBm	±2dB	2.4GHz 11n HT40	MCS0	-90dBm	±2dB		
	MCS1	-91dBm	±2dB		MCS1	-86dBm	±2dB		
	MCS2	-89dBm	±2dB		MCS2	-85dBm	±2dB		
	MCS3	-86dBm	±2dB		MCS3	-82dBm	±2dB		
	MCS4	-81dBm	±2dB		MCS4	-79dBm	±2dB		
	MCS5	-78dBm	±2dB		MCS5	-75dBm	±2dB		
	MCS6	-76dBm	±2dB		MCS6	-74dBm	±2dB		
	MCS7	-73dBm	±2dB		MCS7	-71dBm	±2dB		

► Specifications

Interface

Ethernet Port	1 x RJ45 - 10/100BaseT(X)
Antenna	Two External Antenna (Supports MIMO; 2t2r)

Technology

Protocol	IP, DHCP, HTTPS, SNMP v1/v2, Trap, STP
IEEE	IEEE 802.3, IEEE 802.3u, IEEE 802.3x
WLAN Operation Mode	AP / Client / Bridge / Repeater
Encryption Security	IEEE 802.11i PSK (256-bit Key Pre-shared Key Supported) 802.1x and RADIUS Supported
Wireless Security	ESSID Broadcast Disable, MAC Address Filter
Modulation Method	IEEE 802.11b (DSSS): CCK, DQPSK, DBPSK IEEE 802.11g/n (OFDM/DSSS): QAM-64, QAM-16, QPSK, BPSK
Data Transfer Rate	300 Mbps

Frequency Range

IEEE 802.11b/g	2.412GHz ~ 2.462GHz (US & Canada) 2.412GHz ~ 2.472GHz (Europe) 2.412GHz ~ 2.484GHz (Japan)
----------------	--

Power

Protection	Ground Terminal built into pole mounting screw
Power Input	PoE 48V
PoE Standard	IEEE 802.3af
Power Consumption	10 Watts
Radio Power	800mW

Mechanical Characteristics

Housing	IP67 Metal Enclosure
Dimensions	267 x 241 x 83 mm (10.5 x 9.5 x 3.25 in.)
Weight	Unit Weight: 5.15 lbs. Package Weight: 7.15 lbs.
Mounting	Pole mounting (Bracket Included)

Environmental Limits

Operating Temperature	-20° to 70° C
Storage Temperature	-30°C ~ 80°C

Regulatory Approvals

Green	RoHS Compliant
FCC	This device complies with part 15 Class B & C & E of FCC rules
Warranty	5 Years

► Ordering Information

APX-3200 Outdoor IP67 IEEE 802.11b/g/n Wireless AP/Client/ Bridge

Optional Accessories

PA-48-48-US	PoE Injector, Input 100-240VAC/2A, Output 48VDC/1A
LNP-201AG-T	Industrial IEEE 802.3af PoE injector
MDR-20-48	20 Watt Din-Rail Power Supply (48 VDC)
ANT-OM-2409	2.4-2.5 GHz Outdoor Omni Antenna 9dBi